

M.G. 1¼ LITRE 1948 MODELS

INSTALLATION INSTRUCTIONS FOR "HIS MASTER'S VOICE" AUTOMOBILE RADIO

MODELS 100-101 — PRODUCTS OF



Introductory Note

In addition to the standard installation, i.e. in which the loudspeaker is contained in the receiver unit, another arrangement is available wherein the loudspeaker is mounted in the header-panel of the car. This alternative installation is recommended for its improved acoustic efficiency. Complete equipment kits for each installation are detailed below.

Equipment required (CMK.54) Internal Loudspeaker.

For guidance in obtaining any of the following equipment refer to the Radiomobile Supply Sheet for M.G. 1¼ Litre (Internal Loudspeaker) 1948.

ITEM	CODE NO.	QTY
Receiver Model 100	RM 100/VW	1
Aerial, Type AR. 26	AR 26	1
Alternative Types AR. 30, AW 35 (See Text) ...		
Aerial Lead	RMK 2346	1
Split Lead	RMH 35720H	1
Receiver Mounting Bracket O.S.	RMO 85	1
Receiver Mounting Bracket N.S.	RMO 86	1
Receiver Support Angle	RMO 87	2
Mounting Bracket Strap	RMO 88	1
Power Unit Mounting Bracket Assembly	RMS 36A	1

(continued)

Equipment required (contd).

ITEM	CODE NO.	QTY
Screw ¼" BSF x ⅝" Hex. Head	RMS 6130	9
Screw ¼" BSF x ½" Csk. Head...	RMS 6104	2
Washer ¼" Spring	RMS 7082	11
Nut ¼" BSF	RMS 1276	11
Condenser 1 mfd.	RMO 1A	2
Resistor 5,000 ohm	RMO 2	1

Equipment required (CMK.55) External Loudspeaker.

For guidance in obtaining any of the following equipment refer to the Radiomobile Supply Sheet for M.G. 1½ Litre (External Loudspeaker) 1948.

ITEM	CODE NO.	QTY
Receiver Model 100 or Receiver Model 101 (Standard Finish)	RM 100/VX RM 101	1 1
Loudspeaker & Lead	RMH 35951D	1
Aerial, Type AR. 26 or Alternative Types AR. 30, or AW. 35 (See Text)	AR 26	1
Aerial Lead	RMK 2346	1
Split Lead	RMH 35720H	1
Receiver Mounting Bracket O.S.	RMO 85	1
Receiver Mounting Bracket N.S.	RMO 86	1
Receiver Support Angle	RMO 87	2
Mounting Bracket Strap	RMO 88	1
Screw ¼" BSF x ⅝" Hex. Head	RMO 6130	9
Screw ¼" BSF x ½" Csk Head ...	RMS 6104	2
Washer ¼" Spring	RMS 7082	11
Nut ¼" BSF	RMS 1276	11
Screw, 2BA x ½" Csk. Head ...	RMS 6089	4
Washer, ⅜" Spring	RMS 7359	4
Nut 2BA	RMS 1171	4
PK. Screw Type A No. 6 x ⅜" Csk. Flat Head	RMO 210	2
Condenser 1 mfd.	RMO 1A	2
Resistor 5,000 ohm	RMO 2	1
Loudspeaker Mounting Plate ...	RMO 89	1
Felt Pad	RMO 95	3

Receiver mounting (Internal and External Loudspeaker Installations).

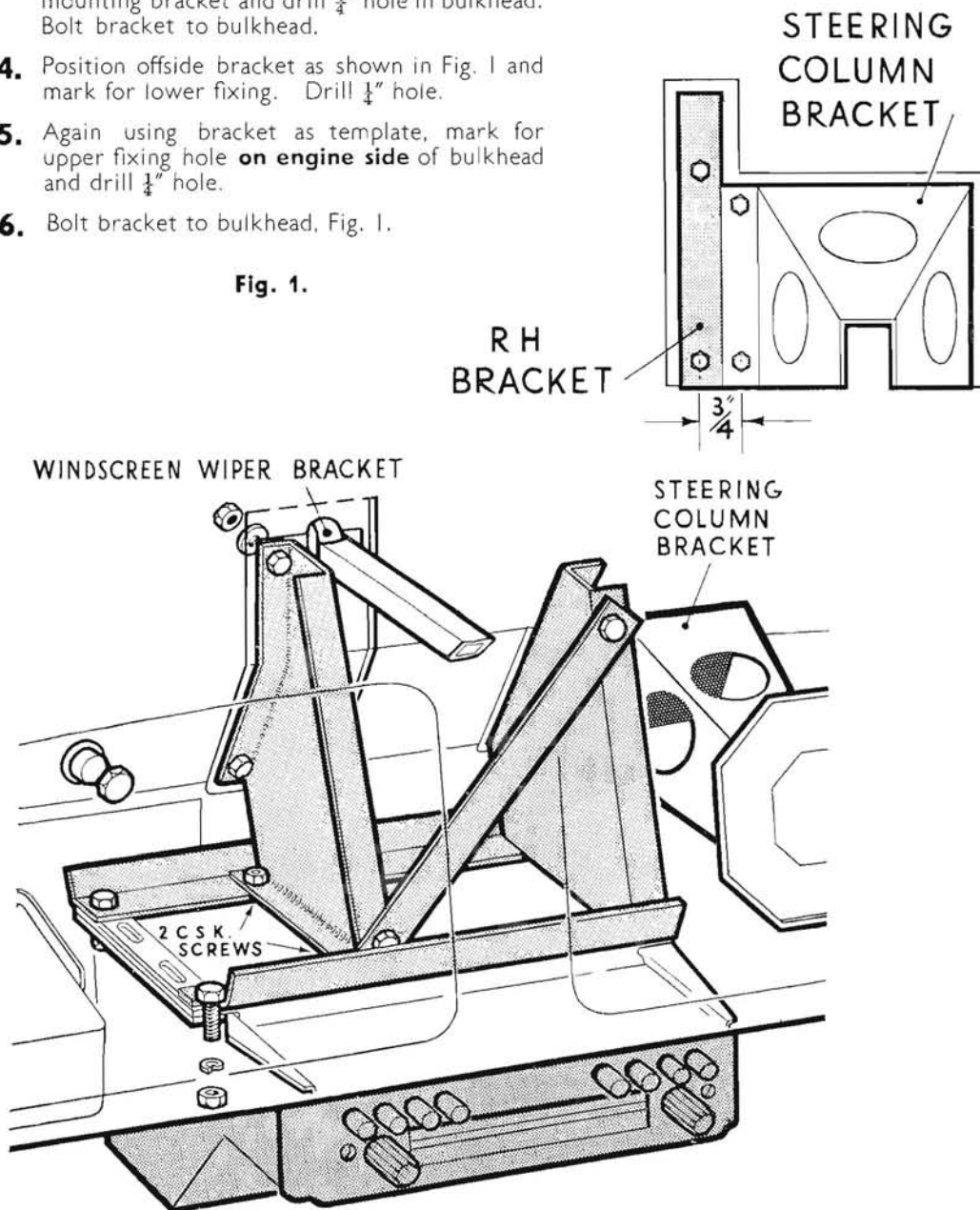
Throughout these instructions references to 'offside' and 'nearside' apply in the case of Right Hand Drive cars only.

1. Cut away section of millboard/felt mask covering bulkhead, in area of bracket mountings.
2. Bolt top of nearside receiver mounting bracket to windscreen control bracket, Fig. 1. Owing to depression in bulkhead, it may sometimes be necessary to use packing washers between the two brackets.

Receiver mounting (continued)

3. Mark bulkhead through lower hole in nearside mounting bracket and drill $\frac{1}{4}$ " hole in bulkhead. Bolt bracket to bulkhead.
4. Position offside bracket as shown in Fig. 1 and mark for lower fixing. Drill $\frac{1}{4}$ " hole.
5. Again using bracket as template, mark for upper fixing hole **on engine side** of bulkhead and drill $\frac{1}{4}$ " hole.
6. Bolt bracket to bulkhead, Fig. 1.

Fig. 1.



7. Bolt strap to front of mounting brackets, Fig. 1.
8. Using two $\frac{1}{4}$ " BSF \times $\frac{1}{2}$ " countersunk screws secure angle-supports to lower flanges of nearside mounting bracket, Fig. 1.

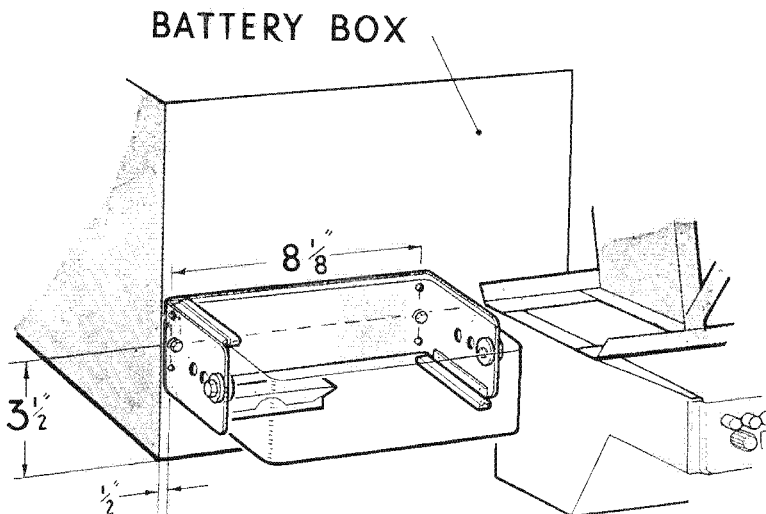
Receiver mounting (continued)

9. Separate receiver from power unit and connect inter-connecting lead to receiver only. Full instructions for carrying out the two operations are contained in the Radiomobile General Instruction "Separating Power Unit from Receiver Unit."
10. Bolt Receiver to angle-supports using $\frac{1}{4}$ " BSF x $\frac{3}{8}$ " screws, Fig. 1. Note that the two offside screws also secure angle supports to mounting bracket.
11. Fit "stop-brackets" to power unit mounting bracket as described in the above Radiomobile General Instruction "Separating Power Unit from Receiver Unit."
12. Drill two— $\frac{1}{4}$ " holes in battery-box and bolt-up power unit mounting bracket, in position shown, Fig. 2, using centre holes in bracket.
13. Connect receiver to power unit via inter-connecting lead and bolt to mounting bracket as in Fig. 2.
14. Connect battery lead to negative terminal of ammeter.
15. Fit 10 amp. fuse (RMH.1985ON) to fuseholder and connect battery lead, to receiver.

Aerial mounting (Internal and External Loudspeaker)

The car manufacturer's selection for the 1½ Litre is aerial type AR.26 and fitting instructions for this type, only, will be given. Alternative types (see Equipment Required) may be fitted if desired and general installation

Fig. 2.



Aerial mounting (continued)

instructions regarding these aerials are given in the Radiomobile General Instruction "Aerial Mounting."

1. Remove sun-visors and driving mirror.
2. Remove front and two side capping strips around sun-roof aperture.
3. Remove tacks securing fabric to top of header panel, continuing removal of fabric for about 3" from front on both sides of roof aperture and along either edge of aperture.
4. Remove trim pad covering offside scuttle.
5. Detach rubber grommet from aerial assembly and place on outside of header panel in a position on exact centre line of car, with grommet just clearing edge of windscreen. Mark for hole.
6. Drill $\frac{3}{8}$ " hole in header panel, according to the Radiomobile General Instruction "Drilling Holes in Painted Body Panels."
7. Clean to bare metal area around hole on inside of panel.
8. Fit contact block assembly.
9. Feed "pull-through" wire (with piece of cord attached to lower end) upwards, via hole in scuttle, through offside windscreen pillar, and into header panel.
10. Attach smaller plug of aerial lead to cord of "pull-through" and draw lead through pillar into header panel. Plug into contact block.
11. If external loudspeaker not to be fitted, replace header panel fabric after cutting hole to admit aerial shaft.
12. Fit aerial and parking control knob. Replace sun-visors, capping strips and driving mirror.
13. Plug aerial lead into set and replace scuttle trim pad.

External Loudspeaker mounting

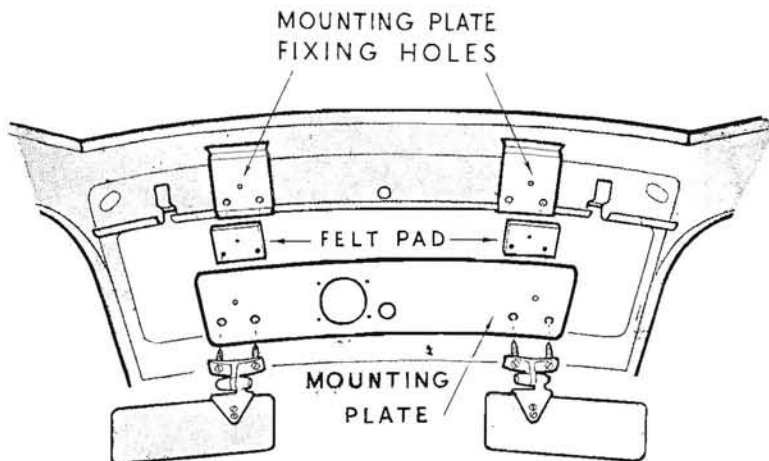
The only additional preparation (i.e., not given under "Aerial Mounting") required to mount the loudspeaker in the header panel is in the removal of the nearside trim pad.

1. With nearside trim pad removed, feed "pull-through" with loudspeaker lead attached, upwards via hole in scuttle and windscreen pillar, into header panel.

External Loudspeaker mounting (continued)

2. Fit loudspeaker to mounting plate using 2BA screws. (Hole for loudspeaker is on nearside of hole provided for aerial shaft and loudspeaker is mounted with tag connections to nearside.)
3. Secure one of the felt pads, provided in the kit to the rear of the loudspeaker magnet—thereby covering the four brass screws—employing a suitable adhesive.
4. Solder loudspeaker lead connections to tags.
5. Temporarily bolt mounting plate to sun-visor struts using visor fixing screws and flat washers.
6. Through $\frac{1}{8}$ " holes in mounting plate—above visor fixing holes—drill $1/16$ " hole (No. 36 drill) in visor struts. Dismantle temporary fixing.

Fig. 3.



7. Screw mounting plate with felt pads interposed, Fig. 3, to struts using 2—PK screws, Type "A" No. 6 x $\frac{3}{8}$ " countersunk flat head.
8. Replace header panel fabric, capping strips, sun-visors and driving mirror. Fit aerial control knob.
9. Plug loudspeaker lead into set and replace trim pad.

Suppression

NOTE.—It is important to keep all wiring, i.e., ignition and condenser leads, etc., as short as possible and to scrape to bare metal each point

Suppression *(continued)*

to which an earth connection is made. Attention is drawn to the Radiomobile General Instruction "Interference Suppression."

Fit the following condensers and resistor.

1. 1 mfd condenser to "SW" terminal on coil. Earth under coil mounting.
2. 1 mfd condenser to "D" terminal on dynamo. Earth to dynamo mounting bolt.
3. 5000 ohm resistor in main H.T. lead from coil and as close to distributor as possible.