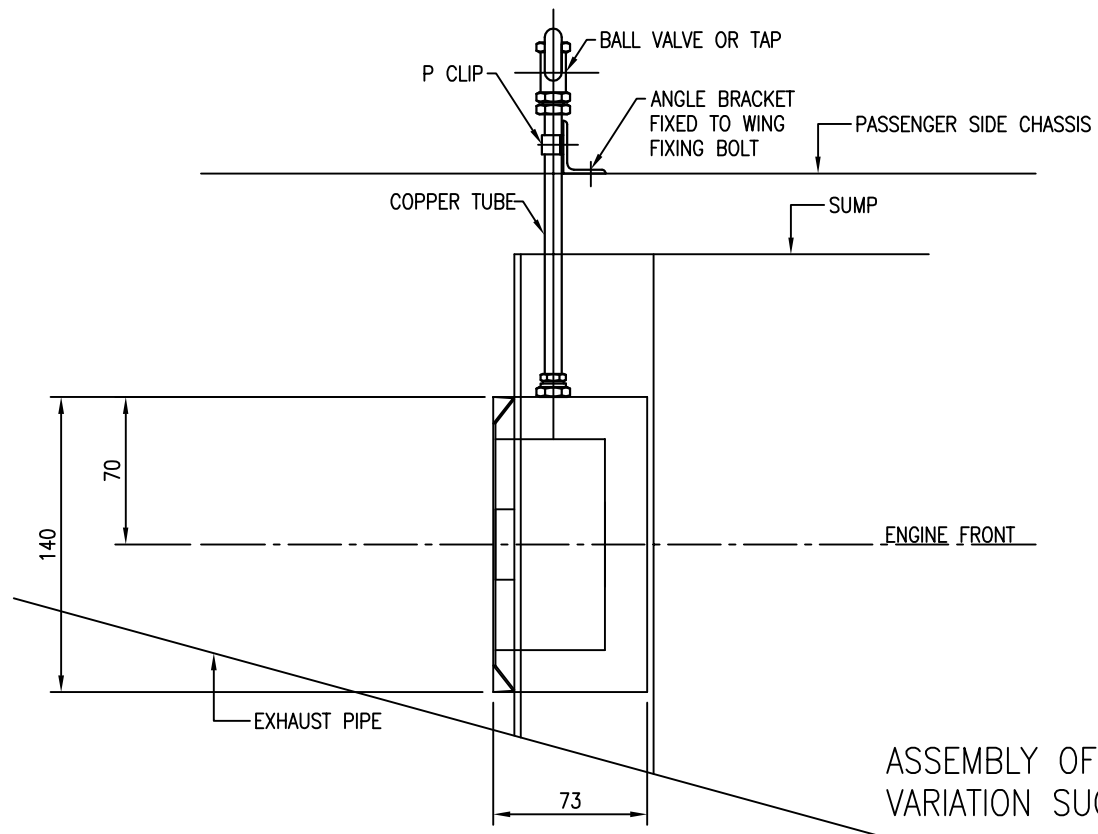


VIEW ON ARROW 'A'



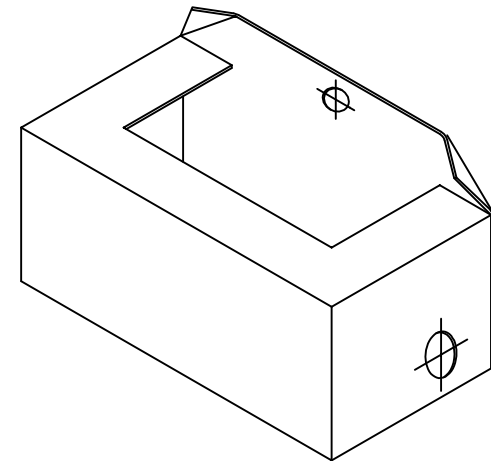
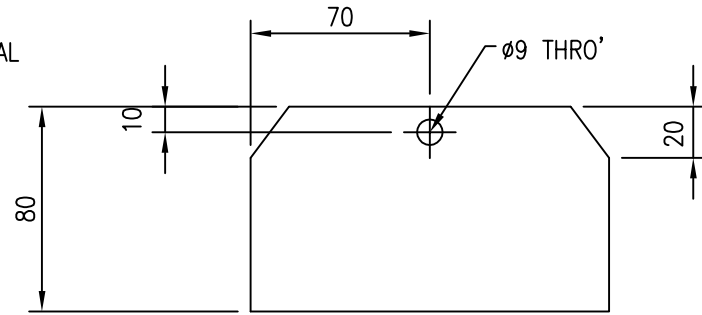
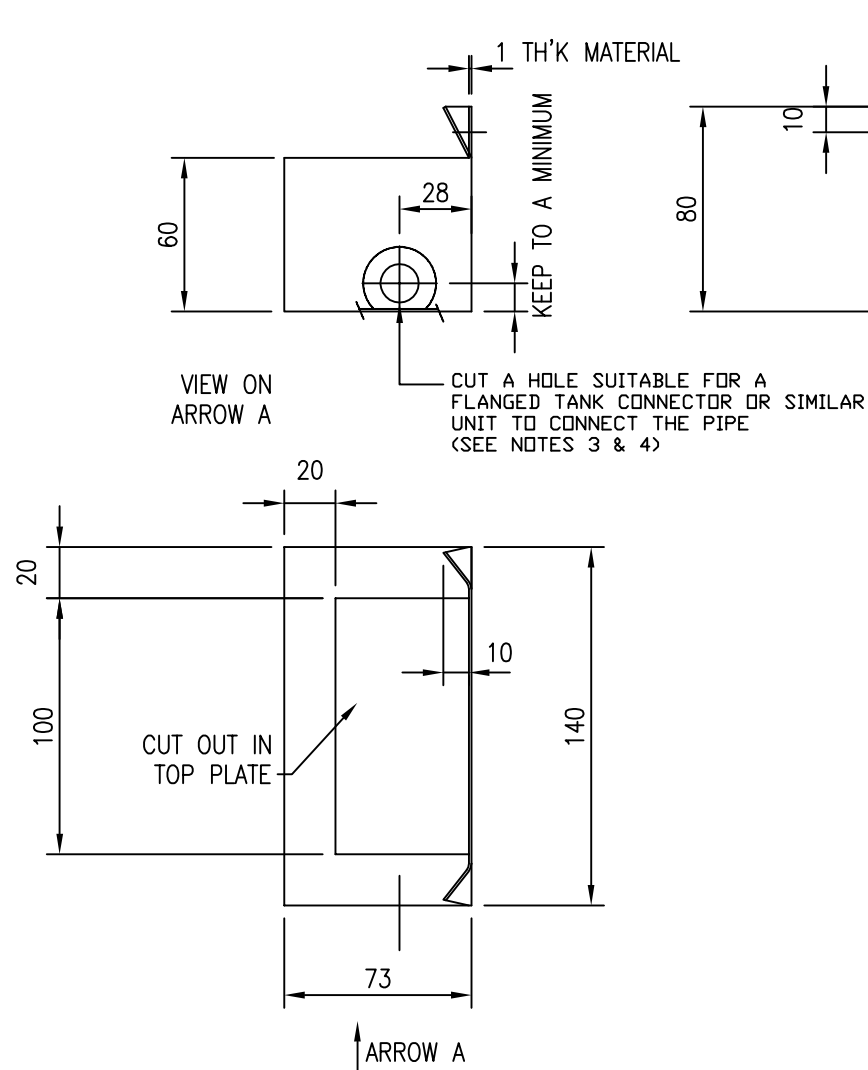
VIEW FROM ABOVE

↑ ARROW A

ASSEMBLY OF OIL COLLECTION BOX  
VARIATION SUGGESTED BY MIKE LONG

R CLAPHAM  
Y5986

- NOTES.
- 1) ALL FITTINGS CAN BE PURCHASE FROM A PLUMBERS MERCHANT
  - 2) USE THE SMALLEST TANK CONNECTOR AS POSSIBLE TO REDUCE THE AMOUNT OF OIL THAT CAN NOT BE DRAINED FROM THE TANK
  - 3) CUT ONE SIDE OF THE FLANGE ON THE FLANGED CONNECTOR TO PREVENT IT TURNING WHILST TIGHTENING
  - 4) POSITION THE HOLE THROUGH THE TANK END SO THAT THE CUT FLANGE OF THE CONNECTOR WILL SIT ON THE BOTTOM OF THE TANK



DETAIL OF OIL COLLECTION BOX  
VARIATION SUGGESTED BY MIKE LONG

$$VOLUME = 140 \times 73 \times 60 = 613200 \text{mm}^3 = 0.613 \text{cc} = 0.613 \text{cl}$$

R CLAPHAM  
Y5986