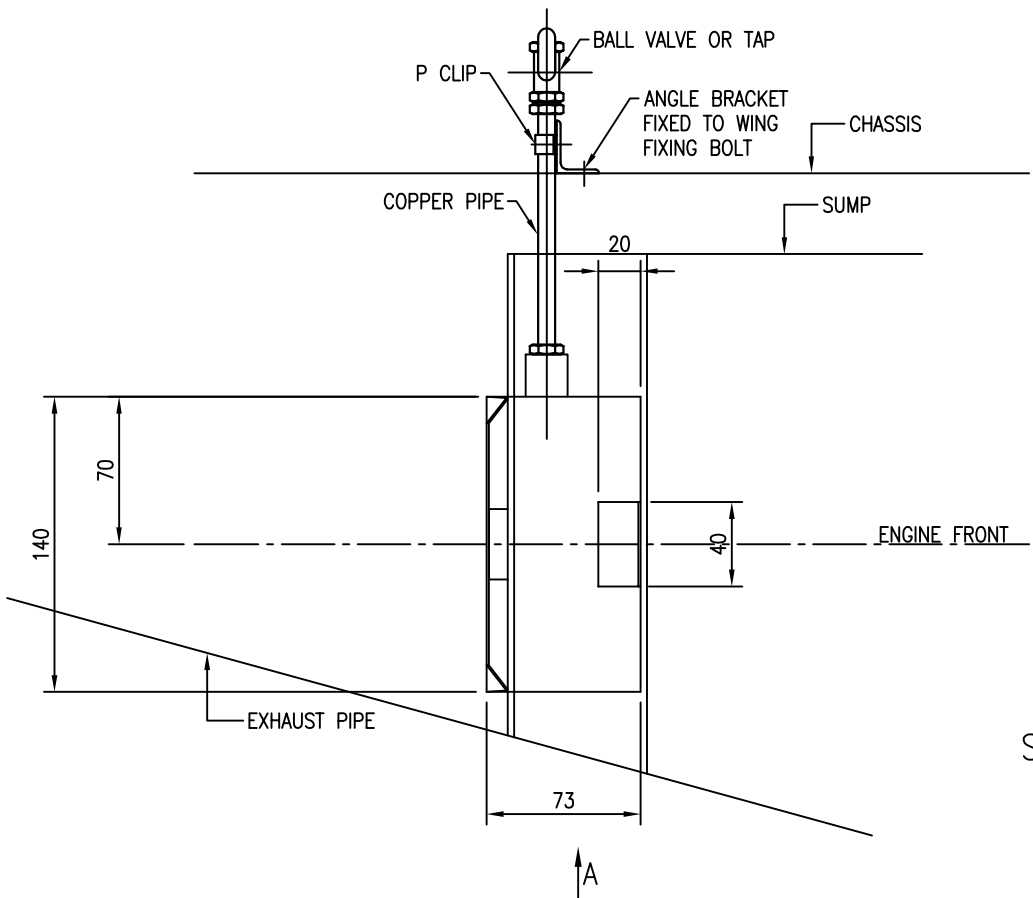


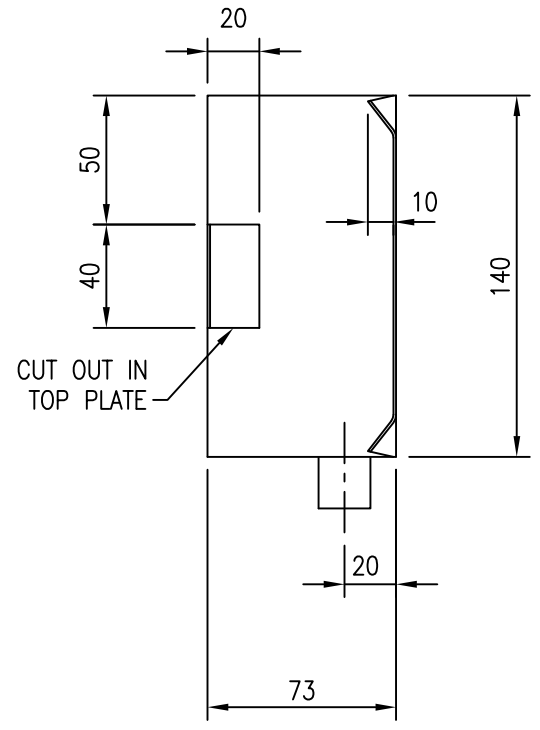
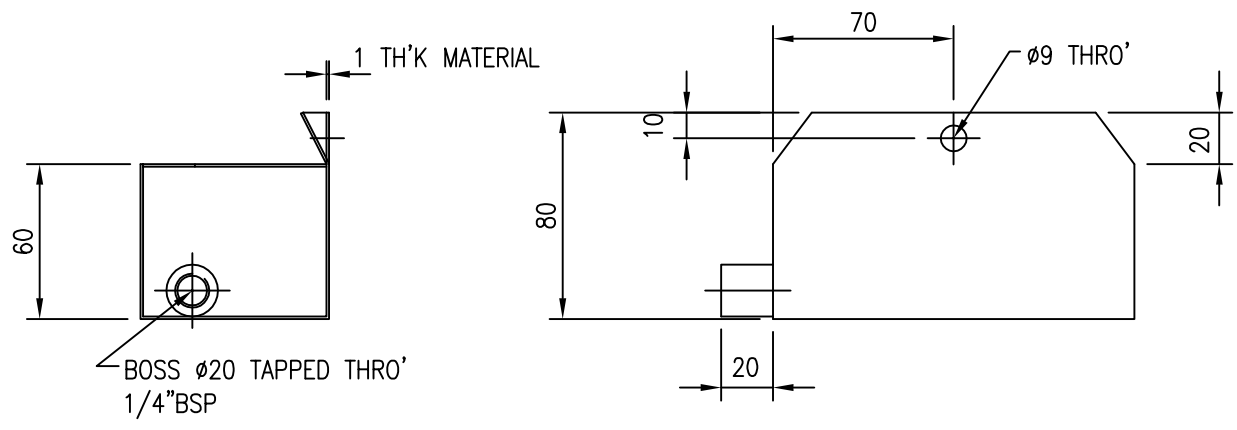
VIEW ON ARROW 'A'



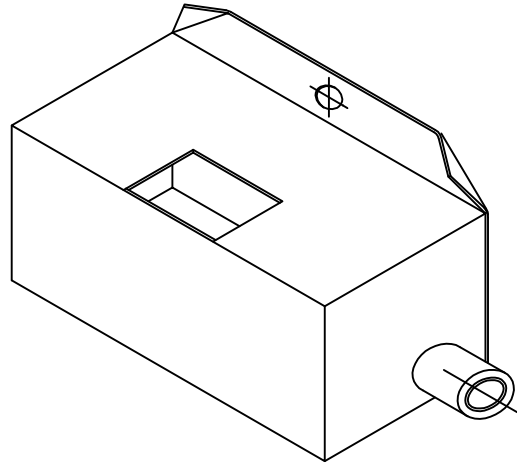
VIEW FROM ABOVE

SUMP TANK ASSEMBLY

R CLAPHAM
Y5986



VOLUME = $140 \times 73 \times 60 = 613200 \text{mm}^3 = 0.613 \text{cc} = 0.613 \text{cl}$



SUMP TANK DETAIL

R CLAPHAM
Y5986